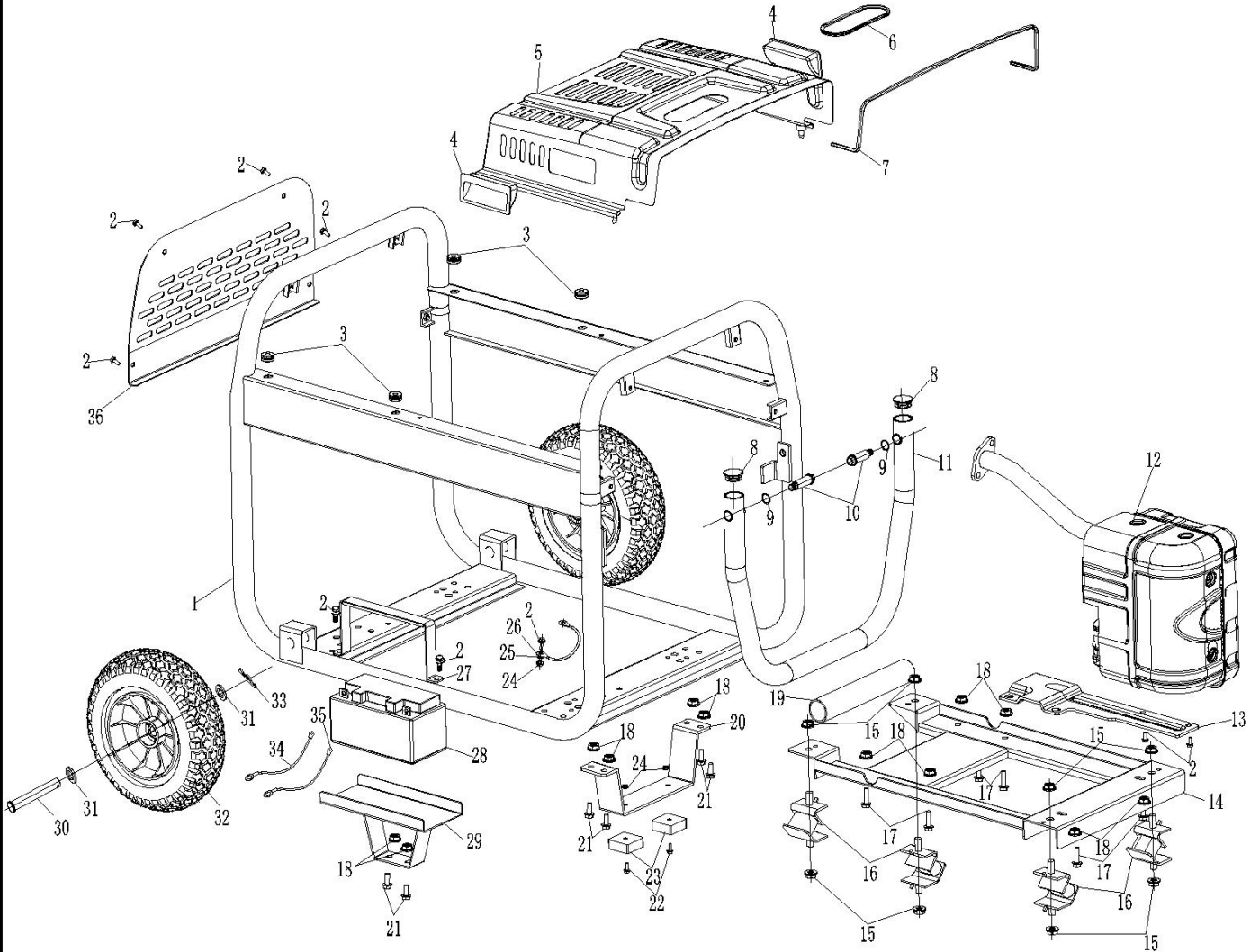


# G6C5M60 Diesel generating set

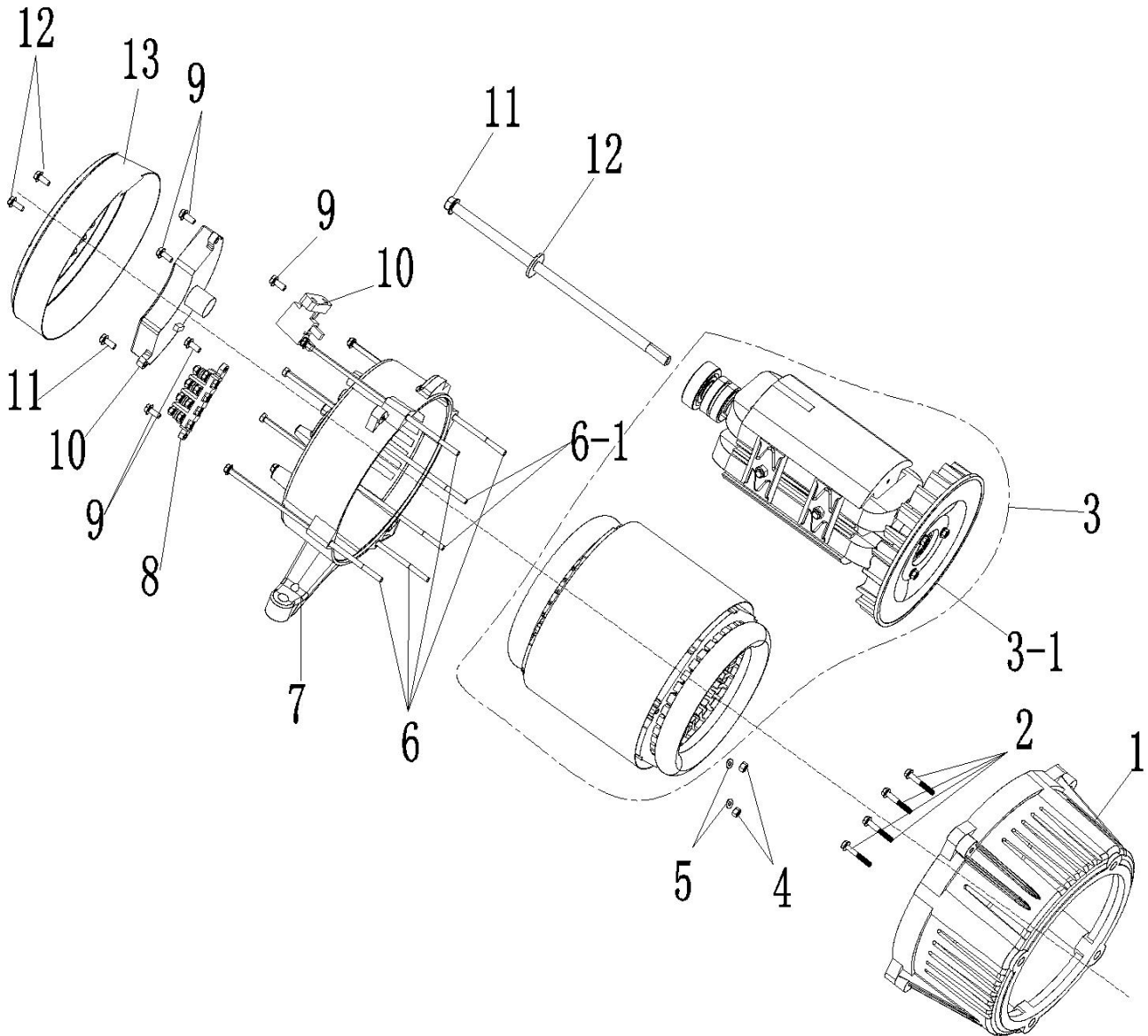
## FRAME ASSY



NO.	PART No.	English name	specification	Quantity
1	51100-G7C5-00H5	frame component	dark grey spraying	1
2	B5789-06KG-012B	flange bolt	M6X12	9
3	54103-GA0C-0100	rubber cover, cover board	Φ 7.2*Φ 21*9silica g	4
4	51208-GA0C-0000	shake hands component	black ABS	2
5	51206-G6C5-00H5	cover board, engine	dark grey spraying	1
6	54117-G3A2-0000	rubber tape	thickness1.0	1
7	54117-G3A2-0000	rubber tape	thickness1.0	1
8	51312-G7C5-0000	end cap, frame	PP	2
9	55012-G5AA-0000	nylon washer	Φ 14*Φ 18*1mm	2
10	51229-G6C5-0000	dowel pin, handle	M10*Φ 18*60	2
11	51320-G6C5-00H5	handle component	dark grey spraying	1
12	53100-G7C6-02W4	muffler component		1
13	53217-G5C5-000C	supporting block	white zinc	1
14	51250-G7C5-00H5	supporter, frame	dark grey spraying	1
15	B6177.1-10LG-010B	flange nut	M10X1.5	8
16	51204-G6C5-0000	shock absorbing seat	M10*M10	4
17	B5787-08LG-040B	flange bolt	M8X40	6
18	B6177.1-08KG-000B	flange nut	M8	12

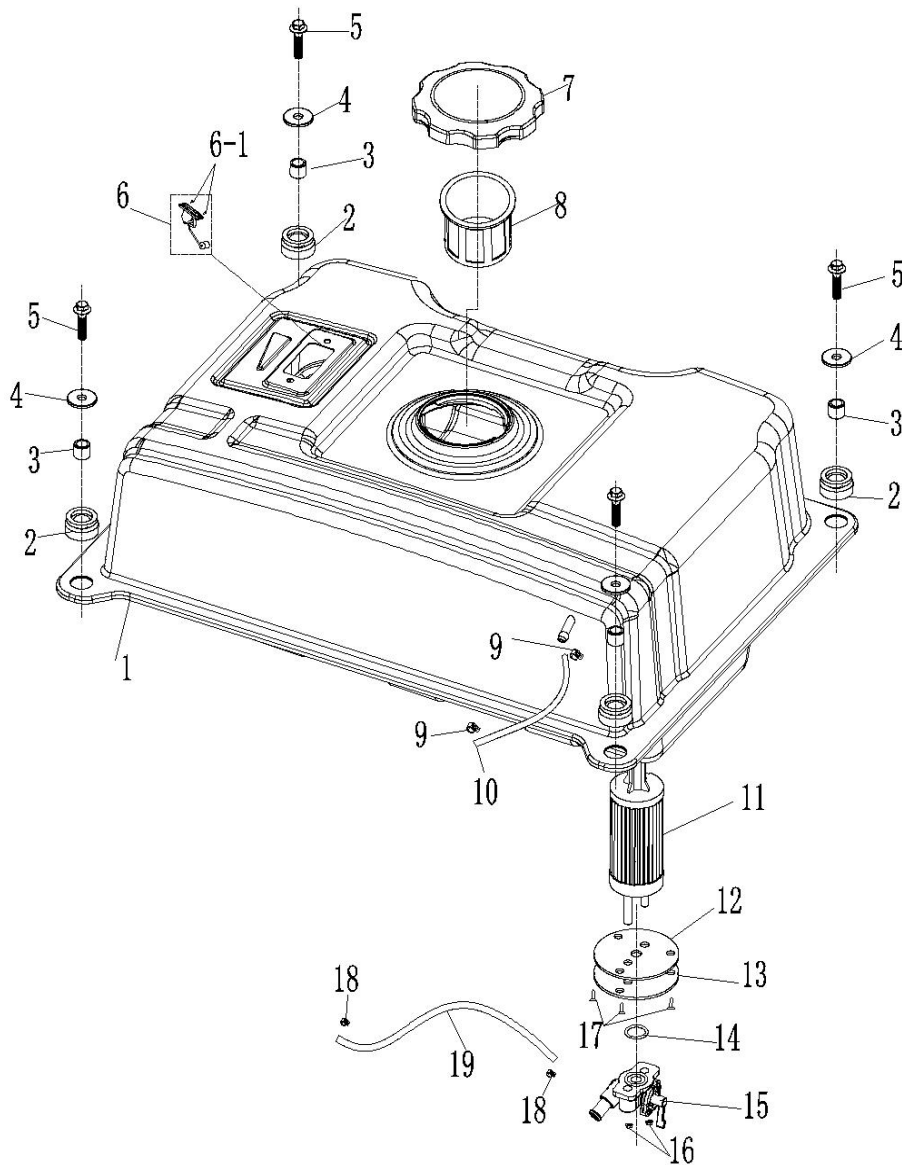
19	51306-G5B8-0000	rubber sleeve, handle	$\Phi 31 * \Phi 39 * 230\text{mm}$	1
20	51330-G7C5-00H5	supporter component	dark grey spraying	1
21	B5787-08LG-020B	flange bolt	M8X20	6
22	B5789-06KG-016B	flange bolt	M6X16	2
23	51304-G5A3-0000	footpad, supporter	40*40*16	2
24	B6177.1-06KG-000B	flange nut	M6	3
25	B861.2-060G-000B	quincunx spring washer	$\Phi 6 / \text{out tooth}$	1
26	51219-G6A1-0000	ground wire	$\Phi 6 \times \Phi 10.5 \times 120\text{mm}$	1
27	51202-G7C5-00H5	pressing plate, battery	dark grey spraying	1
28	51270-12AH-5000	lithium battery	12V/6Ah	1
29	51260-G7C5-00H5	box component, battery	dark grey	1
30	51301-G6C5-0000	wheel axle	$\Phi 22 * \Phi 16 * 109.5\text{mm}$	2
31	B95-016G-000B	flat washer	$\Phi 16 \times \Phi 30 \times 2.5$	4
32	51310-G6A2-0000	wheel assy	10"/全发泡FPE	2
33	16006-G7A2-0000	lock, dowel pin	$\Phi 2 * 18\text{mm}$	2
34	51217-G7A3-340B	charging wire, negative	$\Phi 6 \times \Phi 10.5 \times 120\text{mm} /$	1
35	51217-G5C5-400R	charging wire, positive	340mm	1
36	53207-G6C5-00H5	side board	dark grey spraying	1

### ALTERNATOR ASSY



NO.	PART No.	Englinsh name	specification	Quantity
1	31501-G7C5-0000	end cover, alternator	Φ190	1
2	B5787-08LG-030B	flange bolt	M8×30×P1.25/black	4
3	20029-04102-00	alternator component	6.5KW/220V/50HZ	1
3-1	/	rotor	/	1
4	44008-0500-000C	nylon nut	M5	2
5	B895-060G-000B	quincunx spring washer	Φ6/black zinc	2
6	B5789-06KG-190C	flange bolt	M6×190×P1.0/white	4
6-1	B5787-05KG-235B	hexagon bolt	M5×235/发黑black	2
7	31502-G5A3-0000	support, alternator	Φ190	1
8	/	binding post	/	1
9	B5787-05JG-016B	flange bolt	M5×16×P0.8/black	5
10	31700-G6A2-0000	AVR	7kw	1
11	B5789-05KG-012B	flange bolt	M5X12	1
12	B5787-05JG-012B	flange bolt	M5X12	2
13	31301-G5A3-10B5	rear cover, alternator	黑亮/开口60° bright	1

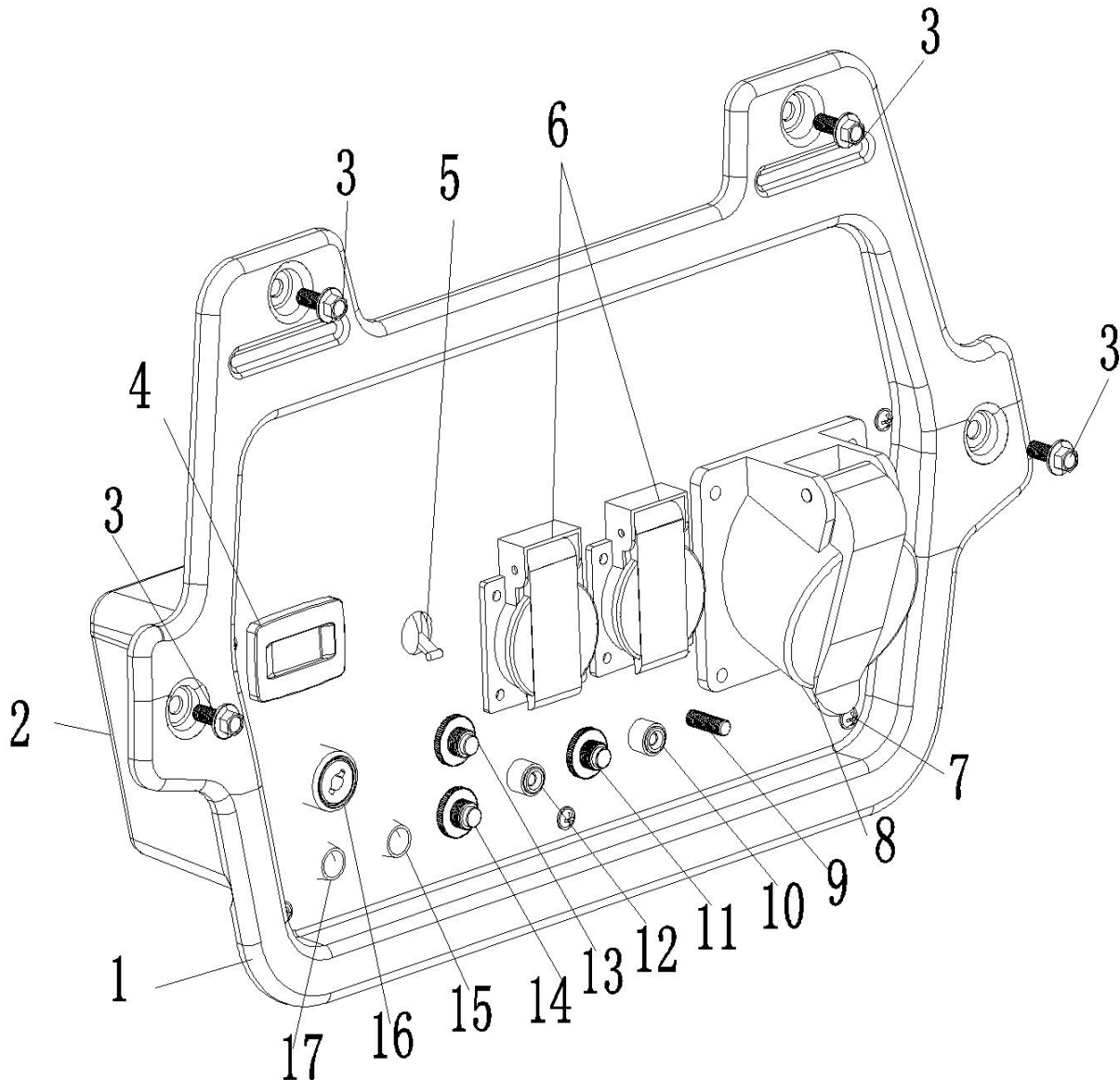
### FUEL TANK ASSY



NO.	PART No.	English name	specification	Quantity
1	54100-G6C5-00RE	fuel tank assy	bright red	1
2	/	shock absorbing pad	/	4

3	/	lining coat, fuel tank	/	4
4	B5287-G7A2-000B	washer, fuel tank	$\Phi 6 \times \Phi 22 \times 2$ /black	4
5	B5789-06KG-025B	flange bolt	M6 $\times$ 25 $\times$ P1.0/black	4
6	/	oil level gauge	/	1
6-1	/	cross screw bolt	/	2
7	/	fuel tank cap	/	1
8	/	fuel filter	/	1
9	54106-0110-000C	clamp	B11/white zinc	2
10	17002-0531-0300	fuel hose	$\Phi 5.31 \times \Phi 10.49$	1
11	/	filter element	/	1
12	/	seal gasket	/	1
13	/	connection plate	/	1
14	/	O-ring	/	1
15	54105-G5C5-0000	fuel tank switch	/	1
16	B6177.1-06KG-000C	flange nut	/	2
17	B818-05JF-010C	cross screw bolt	/	3
18	54106-G7A2-100C	clamp	B12/white zinc	2
19	17002-0635-0000	fuel hose	$\Phi 6.35 \times \Phi 12.7$	1

### CONTROL PANEL ASSY



NO.	PART No.	English name	specification	Quantity
1	52000-G6C5-05H5	control panel	hot tolled	1
2	52100-G5C5-0000	rear, control panel	PP	1

3	B5789-06KG-012B	flange bolt	M6X12	4
4	/	three in one meter	V, H, Z	1
5	/	circuit breaker	30A	1
6	/	European socket	16A/250V	2
7	/	self-tapping screw	M4	6
8	/	European industry socket	32A/250V	1
9	/	ground bolt	M6	1
10	/	DC output binding post +	red	1
11	/	heat protector	9A	1
12	/	DC output binding post -	black	1
13	/	heat protector	16A	1
14	/	heat protector	16A	1
15	/	oil alert lamp		1
16	/	three grade lock type switch		1
17	/	power lamp		1